

DESCRIPTION

AMC MODEL SW-2181-2A-309 IS A REFLECTIVE BROAD BAND SPDT SWITCH MODULE WITH INTEGRAL TTL DRIVER, PACKAGED IN A MINIATURE HOUSING, CAPABLE OF HANDLING 2 WATTS OF CW POWER.

SPECIFICATIONS

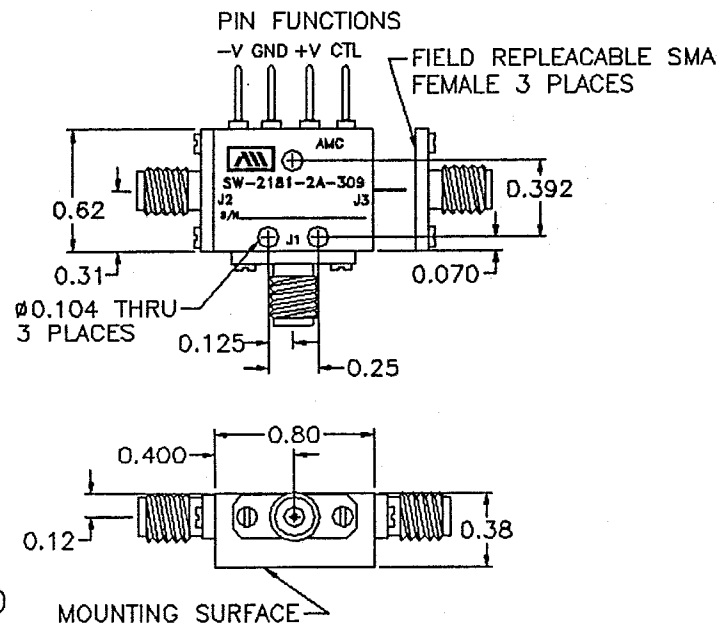
- FREQUENCY RANGE 0.3-18 GHz MINIMUM
- INSERTION LOSS 2- 4 GHz 1.2 dB MAXIMUM
4- 8 GHz 1.6 dB MAXIMUM
8-12 GHz 2.1 dB MAXIMUM
12-18 GHz 2.5 dB MAXIMUM
- ISOLATION 55 dB MINIMUM
- VSWR (ON) 2:1 MAXIMUM
- SWITCHING TIME
RISE (10% RF TO 90% RF) 50 nS MAXIMUM
FALL (90% RF TO 10% RF) 50 nS MAXIMUM
ON (50% TTL TO 90% RF) 200 nS MAXIMUM
OFF (50% TTL TO 10% RF) 200 nS MAXIMUM
- CONTROL TTL COMPATIBLE, UNITY LOAD
1 DEPENDANT CONTROL (TOGGLE)
LOGIC "0" J1-J2 PATH ON
LOGIC "1" J1-J3 PATH ON
- RF POWER RATINGS 2 WATTS CW, MAXIMUM, 75 WATT PEAK (1μs PW)
- POWER SUPPLY +15VDC ±5% @ 70 mA MAXIMUM
-15VDC ±5% @ 65 mA MAXIMUM
- CONNECTORS
RF INPUT/OUTPUT FIELD REPLACEABLE SMA (FEMALE)
POWER SOLDER PIN
CONTROL SOLDER PIN
- SIZE 0.80" x 0.62" x 0.38"

AVAILABLE OPTIONS

- A01 50Ω CONTROL IMPEDANCE
- A02 100Ω CONTROL IMPEDANCE
- A03 INVERSE CONTROL LOGIC (LOGIC "0" ISOLATION)
- A04 INPUT/OUTPUT VIDEO FILTER
(0.5 dB EXCESS LOSS 2-18 GHz)
- A08 TWO INDIVIDUAL CONTROLS
- A14 J1 SMA MALE, J2 AND J3 SMA FEMALE
- A15 J1 SMA FEMALE, J2 AND J3 SMA MALE
- A16 -5 VDC SUPPLY
- A17 +5 VDC SUPPLY
- A18 ±12 VDC SUPPLY

REVISIONS				DATE	APPROVED
ZONE	REV.	DESCRIPTION			
	A	ORIGINAL RELEASE, JOB # 211299E		6/10/93	<i>MJ</i>


MECHANICAL OUTLINE



- NOTES:
- 1) DIMENSIONS ARE IN INCHES
 - 3) TOLERANCES: X.XX ±0.020
X.XXX ±0.010
 - 4) WEIGHT: APPROX. 1.0 OZ

ENVIRONMENTAL RATINGS

- TEMPERATURE -55°C TO +95°C (OPERATING)
-65°C TO +125°C (STORAGE)
- HUMIDITY MIL-STD-202F, METHOD 103B COND. B
- SHOCK MIL-STD-202F, METHOD 213B COND. B
- VIBRATION MIL-STD-202F, METHOD 204D COND. B
- ALTITUDE MIL-STD-202F, METHOD 105C COND. B
- TEMPERATURE CYCLE MIL-STD-202F, METHOD 107D COND. A

		AMERICAN MICROWAVE CORPORATION 7311G GROVE RD., FREDERICK, MD. 21701 TEL: (301) 662-4700 FAX: (301) 662-4938	
		PRODUCT FEATURE SW-2181-2A-309 0.3-18 GHz, REFLECTIVE, 2 WATT SPDT SWITCH	
APPROVALS	DATE	SIZE	SHEET 1 OF 2
DRAWN <i>W.S.P.</i>	6/10/93	A	DWG. # 100-2954
CHECKED <i>[Signature]</i>	6/10/93		